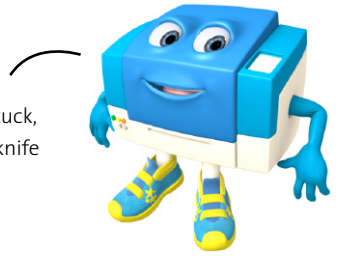


# Paper Cuts: Make Your Own Fill!

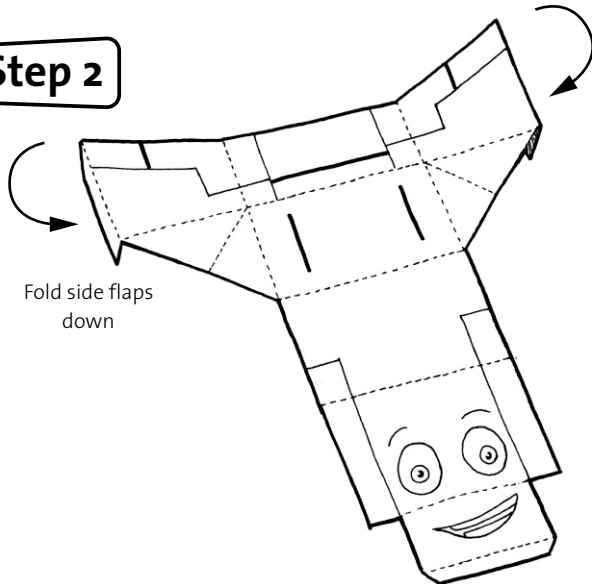


Hi, it's Fill! Are you ready for a fun challenge? See if you can make this cool paper model of me. Don't worry if you get stuck, I'm here to help you! Just follow my simple step by step instructions. Before you get started you will need a modellers knife (with a cutting mat) or a pair of scissors. Make sure you have an adult's supervision, I don't want you to hurt yourself! Sticky tape is not necessary but can be used to make the model easier. Now you're ready, have fun!

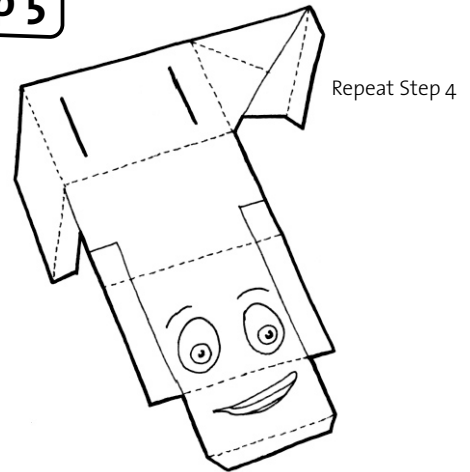
## Step 1

There are three pieces used to make this model. The body, the arms and the legs. The first thing to do is to cut them out! Carefully cut around the outside of each shape. There are a few small cuts that will be easier to do with a knife (see model sheet). If you don't have a knife or aren't comfortable using one, you can skip over these and use sticky tape in steps 6 and 11.

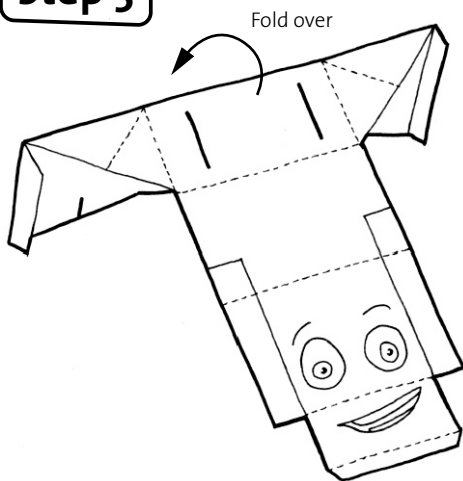
## Step 2



## Step 5



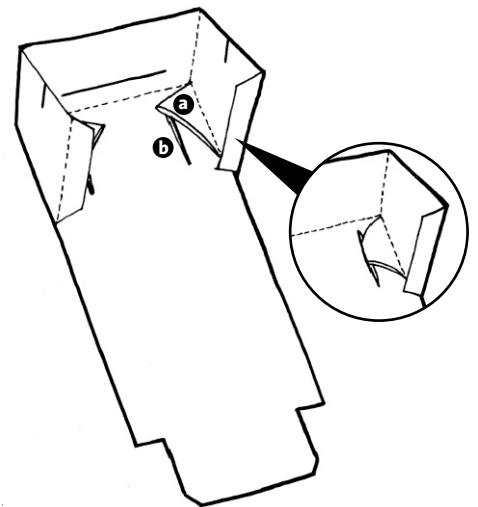
## Step 3



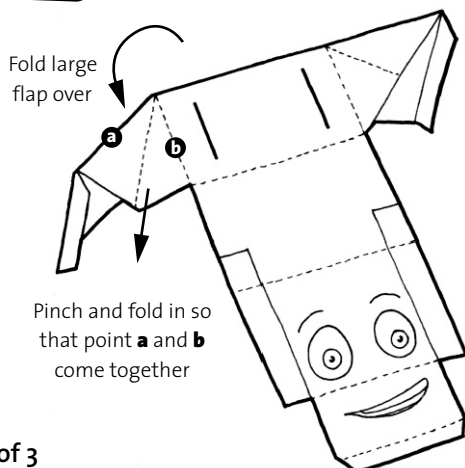
## Step 6

Flip model over!  
Slide tab **a** into slot **b**  
Repeat for other tab

*Option 2:*  
If you haven't created a cut for slot **b**, you can use tape to hold down tab **a**



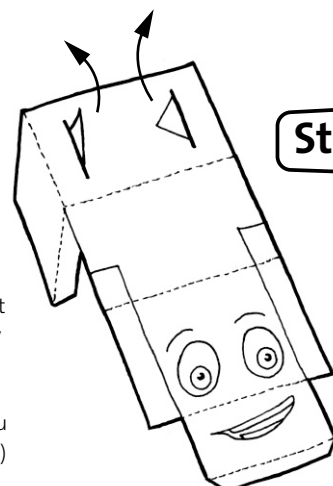
## Step 4



## Step 7

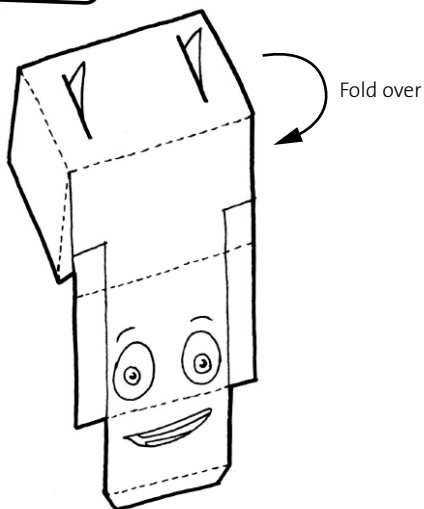
Flip model over  
Fold tabs up so that they hold the body together

(Skip this step if you used tape in Step 6)

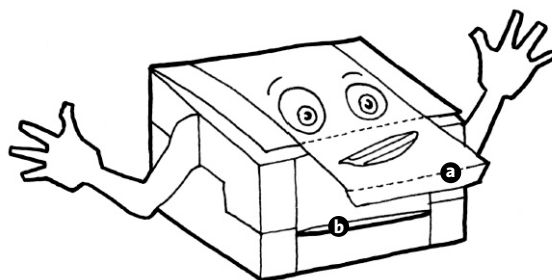


# Paper Cuts: Make Your Own Fill!

## Step 8



## Step 11

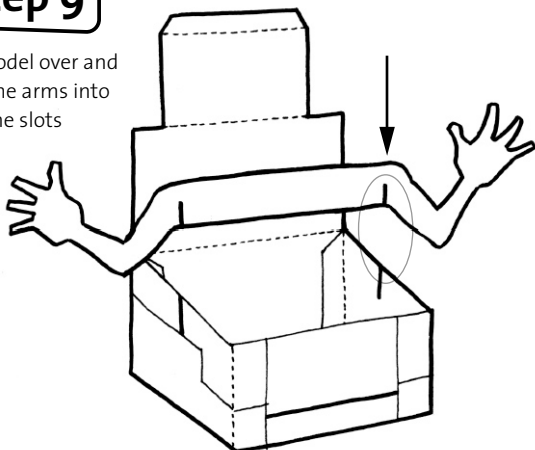


Fold over and slide tab **a** into slot **b**

*Option 2:*  
If you haven't created a cut for slot **b**, you can use tape to hold down tab **a**

## Step 9

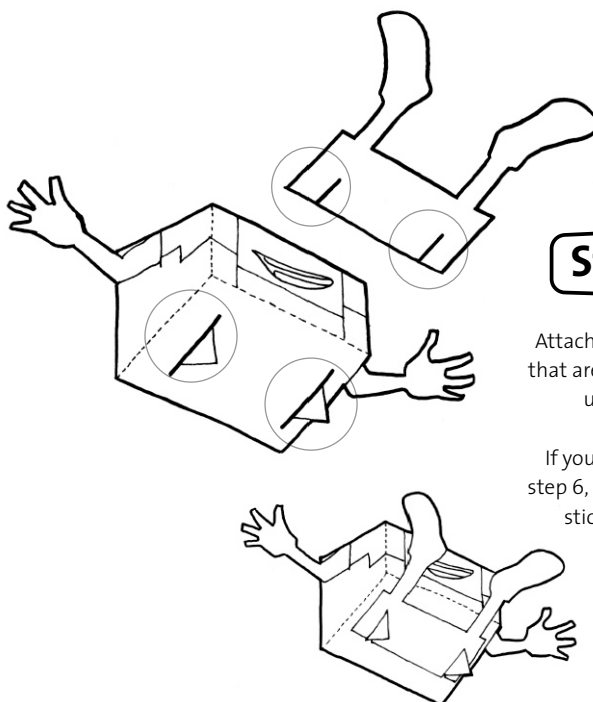
Turn model over and slide the arms into the slots



## Step 12

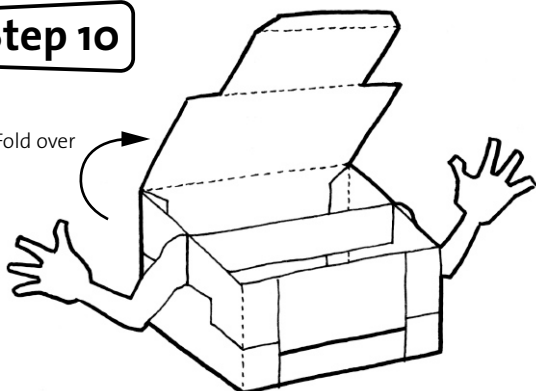
Attach legs to the tabs that are poking through underneath

If you did option 2 in step 6, use some tape to stick on the legs

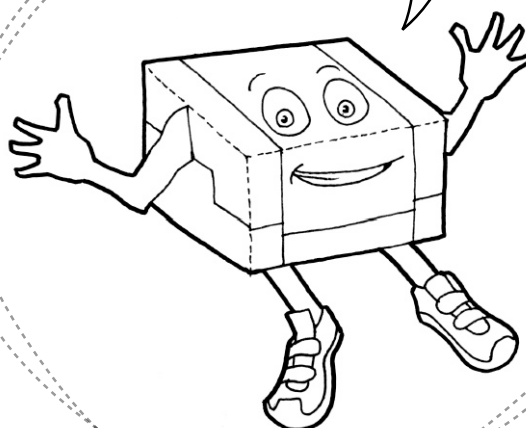


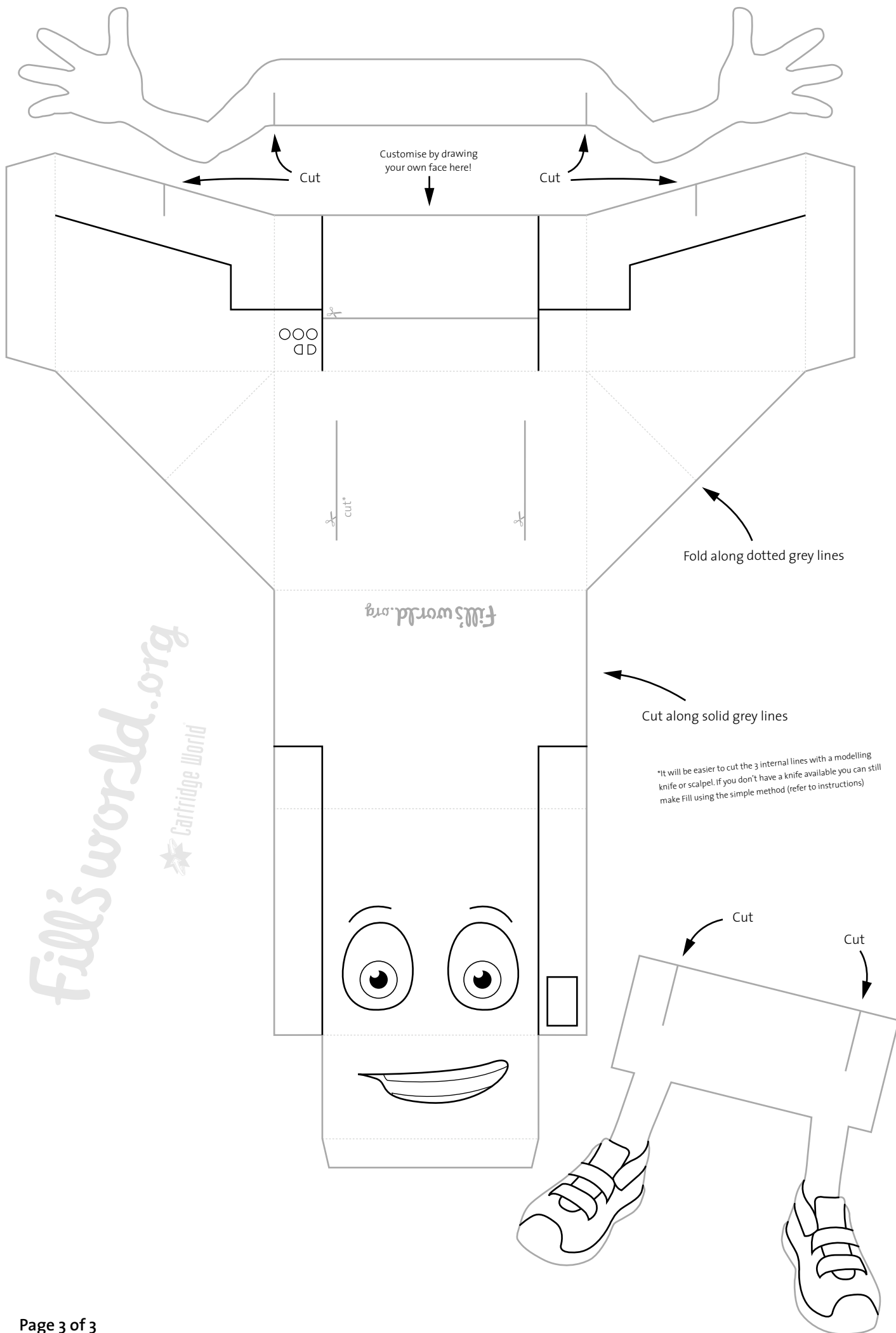
## Step 10

Fold over



Congratulations, you did it!





Customise by drawing your own face here!

Cut

Cut

OO  
DD

cut\*

Fold along dotted grey lines

Cut along solid grey lines

\*It will be easier to cut the 3 internal lines with a modelling knife or scalpel. If you don't have a knife available you can still make Fill using the simple method (refer to instructions)

Fill's world.org  
Cartridge World

Cut

Cut